



Standard Test Method for Vapor Pressure of Petroleum Products (Reid Method)¹

This standard is issued under the fixed designation D323; the number immediately following the designation indicates the year of original adoption or, in the case of revision, the year of last revision. A number in parentheses indicates the year of last reapproval. A superscript epsilon (ϵ) indicates an editorial change since the last revision or reapproval.

This standard has been approved for use by agencies of the Department of Defense.

1. Scope*

1.1 This test method covers procedures for the determination of vapor pressure (see **Note 1**) of gasoline, volatile crude oil, and other volatile petroleum products.

1.2 Procedure A is applicable to gasoline and other petroleum products with a vapor pressure of less than 180 kPa (26 psi).

1.3 Procedure B may also be applicable to these other materials, but only gasoline was included in the interlaboratory test program to determine the precision of this test method.

1.4 Procedure C is for materials with a vapor pressure of greater than 180 kPa (26 psi).

1.5 Procedure D for aviation gasoline with a vapor pressure of approximately 50 kPa (7 psi).

NOTE 1—Because the external atmospheric pressure is counteracted by the atmospheric pressure initially present in the vapor chamber, the Reid vapor pressure is an absolute pressure at 37.8°C (100°F) in kilopascals (pounds-force per square inch). The Reid vapor pressure differs from the true vapor pressure of the sample due to some small sample vaporization and the presence of water vapor and air in the confined space.

1.6 This test method is not applicable to liquefied petroleum gases or fuels containing oxygenated compounds other than methyl *t*-butyl ether (MTBE). For determination of the vapor pressure of liquefied petroleum gases, refer to Test Method **D1267** or Test Method **D6897**. For determination of the vapor pressure of gasoline-oxygenate blends, refer to Test Method **D4953**. The precision for crude oil has not been determined since the early 1950s (see **Note 3**). Test Method **D6377** has been approved as a method for determination of vapor pressure of crude oil. **IP 481** is a test method for determination of the air-saturated vapor pressure of crude oil.

1.7 The values stated in SI units are to be regarded as the standard. The values given in parentheses are for information only.

1.8 *This standard does not purport to address all of the safety concerns, if any, associated with its use. It is the*

responsibility of the user of this standard to establish appropriate safety and health practices and determine the applicability of regulatory limitations prior to use. Specific warning statements are given in Sections 7 and 18, and 12.5.3, 15.5, 21.2, A1.1.2, A1.1.6, and A2.3.

2. Referenced Documents

2.1 ASTM Standards:²

D1267 Test Method for Gage Vapor Pressure of Liquefied Petroleum (LP) Gases (LP-Gas Method)

D4057 Practice for Manual Sampling of Petroleum and Petroleum Products

D4175 Terminology Relating to Petroleum, Petroleum Products, and Lubricants

D4953 Test Method for Vapor Pressure of Gasoline and Gasoline-Oxygenate Blends (Dry Method)

D6377 Test Method for Determination of Vapor Pressure of Crude Oil: VPCR_x (Expansion Method)

D6897 Test Method for Vapor Pressure of Liquefied Petroleum Gases (LPG) (Expansion Method)

E1 Specification for ASTM Liquid-in-Glass Thermometers

2.2 Energy Institute Standards:

IP 481 Test Method for Determination of the Air Saturated Vapour Pressure (ASVP) of Crude Oil³

3. Terminology

3.1 Definitions:

3.1.1 *Bourdon spring gauge, n*—pressure measuring device that employs a Bourdon tube connected to an indicator.

3.1.2 *Bourdon tube, n*—flattened metal tube bent to a curve that straightens under internal pressure.

3.1.3 *gasoline-oxygenate blend, n*—spark-ignition engine fuel consisting primarily of gasoline with one or more oxygenates.

3.1.4 *oxygenate, n*—oxygen-containing ashless organic compound, such as an alcohol or ether, which may be used as a fuel or fuel supplement. **D4175**

¹ This test method is under the jurisdiction of ASTM Committee **D02** on Petroleum Products and Lubricants and is the direct responsibility of Subcommittee **D02.08** on Volatility.

Current edition approved Dec. 15, 2008. Published February 2009. Originally approved in 1930. Last previous edition approved in 2006 as D323-06. DOI: 10.1520/D0323-08.

² For referenced ASTM standards, visit the ASTM website, www.astm.org, or contact ASTM Customer Service at service@astm.org. For *Annual Book of ASTM Standards* volume information, refer to the standard's Document Summary page on the ASTM website.

³ Available from Energy Institute, 61 New Cavendish St., London, WIG 7AR, U.K., <http://www.energyinst.org.uk>.

*A Summary of Changes section appears at the end of this standard.

3.1.5 *Reid vapor pressure (RVP), n*—resultant total pressure reading, corrected for measuring error, of a specific empirical test method (Test Method D323) for measuring the vapor pressure of gasoline and other volatile products.

3.1.6 *vapor pressure, n*—pressure exerted by the vapor of a liquid when in equilibrium with the liquid. **D4175**

3.2 Abbreviations:

3.2.1 *ASVP, n*—air saturated vapor pressure.

3.2.2 *LPG, n*—liquefied petroleum gases.

3.2.3 *MTBE, n*—methyl *t*-butyl ether.

3.2.4 *RVP, n*—Reid Vapor Pressure.

4. Summary of Test Method

4.1 The liquid chamber of the vapor pressure apparatus is filled with the chilled sample and connected to the vapor chamber that has been heated to 37.8°C (100°F) in a bath. The assembled apparatus is immersed in a bath at 37.8°C (100°F) until a constant pressure is observed. The reading, suitably corrected, is reported as the Reid vapor pressure.

4.2 All four procedures utilize liquid and vapor chambers of the same internal volume. Procedure B utilizes a semiautomatic apparatus immersed in a horizontal bath and rotated while attaining equilibrium. Either a Bourdon gauge or pressure transducer may be used with this procedure. Procedure C utilizes a liquid chamber with two valved openings. Procedure D requires more stringent limits on the ratio of the liquid and vapor chambers.

5. Significance and Use

5.1 Vapor pressure is an important physical property of volatile liquids. This test method is used to determine the vapor pressure at 37.8°C (100°F) of petroleum products and crude oils with initial boiling point above 0°C (32°F).

5.2 Vapor pressure is critically important for both automotive and aviation gasolines, affecting starting, warm-up, and tendency to vapor lock with high operating temperatures or high altitudes. Maximum vapor pressure limits for gasoline are legally mandated in some areas as a measure of air pollution control.

5.3 Vapor pressure of crude oils is of importance to the crude producer and the refiner for general handling and initial refinery treatment.

5.4 Vapor pressure is also used as an indirect measure of the evaporation rate of volatile petroleum solvents.

6. Apparatus

6.1 The required apparatus for Procedures A, C, and D is described in **Annex A1**. Apparatus for Procedure B is described in **Annex A2**.

7. Hazards

7.1 Gross errors can be obtained in vapor pressure measurements if the prescribed procedure is not followed carefully. The following list emphasizes the importance of strict adherence to the precautions given in the procedure:

7.1.1 *Checking the Pressure Gauge*—Check all gauges against a pressure measuring device (see **A1.6**) after each test to ensure higher precision of results (see **12.4**). Read the gauge while in a vertical position and after tapping it lightly.

7.1.2 *Checking for Leaks*—Check all apparatus before and during each test for both liquid and vapor leaks (see **Note 5**).

7.1.3 *Sampling*—Because initial sampling and the handling of samples will greatly affect the final results, employ the utmost precaution and the most meticulous care to avoid losses through evaporation and even slight changes in composition (see Section **8** and **12.1**). In no case shall any part of the Reid apparatus itself be used as the sample container prior to actually conducting the test.

7.1.4 *Purging the Apparatus*—Thoroughly purge the pressure gauge, the liquid chamber, and the vapor chamber to be sure that they are free of residual sample. This is most conveniently done at the end of the test in preparation for the next test (see **12.5** and **15.5**).

7.1.5 *Coupling the Apparatus*—Carefully observe the requirements of **12.2**.

7.1.6 *Shaking the Apparatus*—Shake the apparatus vigorously as directed to ensure equilibrium.

8. Sampling

8.1 The extreme sensitivity of vapor pressure measurements to losses through evaporation and the resulting changes in composition is such as to require the utmost precaution and the most meticulous care in the handling of samples. The provisions of this section shall apply to all samples for vapor pressure determinations, except as specifically excluded for samples having vapor pressures above 180 kPa (26 psi); see Section **19**.

8.2 Sampling shall be done in accordance with Practice **D4057**.

8.3 *Sample Container Size*—The size of the sample container from which the vapor pressure sample is taken shall be 1 L (1 qt). It shall be 70 to 80 % filled with sample.

8.3.1 The present precision statement has been derived using samples in 1-L (1-qt) containers. However, samples taken in containers of other sizes as prescribed in Practice **D4057** can be used if it is recognized that the precision could be affected. In the case of referee testing, the 1-L (1-qt) sample container shall be mandatory.

8.4 The Reid vapor pressure determination shall be performed on the first test specimen withdrawn from the sample container. The remaining sample in the container cannot be used for a second vapor pressure determination. If necessary, obtain a new sample.

8.4.1 Protect samples from excessive heat prior to testing.

8.4.2 Do not test samples in leaky containers. They should be discarded and new samples obtained.

8.5 *Sampling Handling Temperature*—In all cases, cool the sample container and contents to 0 to 1°C (32 to 34°F) before the container is opened. Sufficient time to reach this temperature shall be ensured by direct measurement of the temperature of a similar liquid in a like container placed in the cooling bath at the same time as the sample.

9. Report

9.1 Report the result observed in **12.4** or **15.4**, after correcting for any difference between the gauge and the pressure measuring device (see **A1.6**), to the nearest 0.25 kPa (0.05 psi) as the Reid vapor pressure.

10. Precision and Bias

10.1 The following criteria are to be used for judging the acceptability of results (95 % confidence):

10.1.1 *Repeatability*—The difference between successive test results obtained by the same operator with the same apparatus under constant operating conditions on identical test material would, in the long run, in the normal and correct operation of the test method, exceed the following value only in one case in twenty.

Procedure	Range		Repeatability		
	kPa	psi	kPa	psi	
A Gasoline	35–100	5–15	3.2	0.46	Note 2
B Gasoline	35–100	5–15	1.2	0.17	Note 2
A	0–35	0–5	0.7	0.10	Note 3
A	110–180	16–26	2.1	0.3	Note 3
C	>180	>26	2.8	0.4	Note 3
D Aviation Gasoline	50	7	0.7	0.1	Note 3

10.1.2 *Reproducibility*—The difference between two, single and independent results, obtained by different operators working in different laboratories on identical test material would, in the long run, in the normal and correct operation of the test method, exceed the following value only in one case in twenty.

Procedure	Range		Reproducibility		
	kPa	psi	kPa	psi	
A Gasoline	35–100	5–15	5.2	0.75	Note 2
B Gasoline	35–100	5–15	4.5	0.66	Note 2
A	0–35	0–5	2.4	0.35	Note 3
A	110–180	16–26	2.8	0.4	Note 3
C	>180	>26	4.9	0.7	Note 3
D Aviation Gasoline	50	7	1.0	0.15	Note 3

NOTE 2—These precision values are derived from a 1987 cooperative program⁴ and the current Committee D02 Statistical Method RR:D02-1007.

NOTE 3—These precision values were developed in the early 1950's, prior to the current statistical evaluation method.

10.2 Bias:

10.2.1 *Absolute Bias*—Since there is no accepted reference material suitable for determining the bias for this test method, bias cannot be determined. The amount of bias between this test vapor pressure and true vapor pressure is unknown.

10.2.2 *Relative Bias*—There is no statistically significant bias between Procedures A and B for gasolines as determined in the last cooperative test program.

PROCEDURE A

FOR PETROLEUM PRODUCTS HAVING REID VAPOR PRESSURES BELOW 180 kPa (26 psi)

11. Preparation for Test

11.1 *Verification of Sample Container Filling*—With the sample at a temperature of 0 to 1°C, take the container from the cooling bath or refrigerator and wipe dry with absorbent material. If the container is not transparent, unseal it, and using a suitable gauge, confirm that the sample volume equals 70 to 80 % of the container capacity (see Note 4). If the sample is

⁴ Supporting data have been filed at ASTM International Headquarters and may be obtained by requesting Research Report RR:D02-1245.

contained in a transparent glass container, verify that the container is 70 to 80 % full by suitable means (see Note 4).

NOTE 4—For nontransparent containers, one way to confirm that the sample volume equals 70 to 80 % of the container capacity is to use a dipstick that has been pre-marked to indicate the 70 and 80 % container capacities. The dipstick should be of such material that it shows wetting after being immersed and withdrawn from the sample. To confirm the sample volume, insert the dipstick into the sample container so that it touches the bottom of the container at a perpendicular angle, before removing the dipstick. For transparent containers, using a marked ruler or by comparing the sample container to a like container that has the 70 and 80 % levels clearly marked, has been found suitable.

11.1.1 Discard the sample if its volume is less than 70 % of the container capacity.

11.1.2 If the container is more than 80 % full, pour out enough sample to bring the container contents within the 70 to 80 % range. Under no circumstances shall any sample poured out be returned to the container.

11.1.3 Reseal the container, if necessary, and return the sample container to the cooling bath.

11.2 Air Saturation of Sample in Sample Container:

11.2.1 *Nontransparent Containers*—With the sample again at a temperature between 0 and 1°C, take the container from the cooling bath, wipe it dry with an absorbent material, remove the cap momentarily taking care that no water enters, reseal, and shake vigorously. Return it to the cooling bath for a minimum of 2 min.

11.2.2 *Transparent Containers*—Since 11.1 does not require that the sample container be opened to verify the sample capacity, it is necessary to unseal the cap momentarily before resealing it so that samples in transparent containers are treated the same as samples in nontransparent containers. After performing this task, proceed with 11.2.1.

11.2.3 Repeat 11.2.1 twice more. Return the sample to the bath until the beginning of the procedure.

11.3 *Preparation of Liquid Chamber*—Completely immerse the open liquid chamber in an upright position and the sample transfer connection (see Fig. A1.2) in a bath at a temperature between 0 and 1°C (32 and 34°F) for at least 10 min.

11.4 *Preparation of Vapor Chamber*—After purging and rinsing the vapor chamber and pressure gauge in accordance with 12.5, connect the gauge to the vapor chamber. Immerse the vapor chamber to at least 25.4 mm (1 in.) above its top in the water bath maintained at $37.8 \pm 0.1^\circ\text{C}$ ($100 \pm 0.2^\circ\text{F}$) for not less than 10 min just prior to coupling it to the liquid chamber. Do not remove the vapor chamber from the bath until the liquid chamber has been filled with sample, as described in 12.1.

12. Procedure

12.1 *Sample Transfer*—Remove the sample from the cooling bath, uncap, and insert the chilled transfer tube (see Fig. 1). Remove the liquid chamber from the cooling bath, and place the chamber in an inverted position over the top of the transfer tube. Invert the entire system rapidly so that the liquid chamber is upright with the end of the transfer tube approximately 6 mm (0.25 in.) from the bottom of the liquid chamber. Fill the chamber to overflowing (in addition to other precautions, make

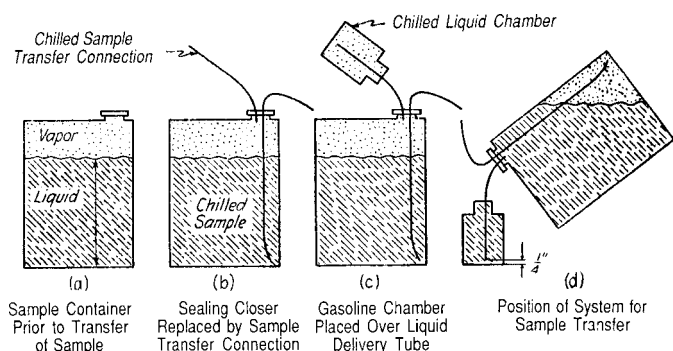


FIG. 1 Simplified Sketches Outlining Method Transferring Sample to Liquid Chamber from Open-Type Containers

provision for suitable containment and disposal of the overflowing sample to avoid fire hazard). Withdraw the transfer tube from the liquid chamber while allowing the sample to continue flowing up to complete withdrawal.

12.2 Assembly of Apparatus—Immediately remove the vapor chamber from the water bath and couple the filled liquid chamber to the vapor chamber as quickly as possible without spillage. When the vapor chamber is removed from the water bath, connect it to the liquid chamber without undue movement that could promote exchange of room temperature air with the 37.8°C (100°F) air in the chamber. Not more than 10 s shall elapse between removing the vapor chamber from the water bath and completion of the coupling of the two chambers.

12.3 Introduction of the Apparatus into Bath—Turn the assembled apparatus upside down and allow all the sample in the liquid chamber to drain into the vapor chamber. With the apparatus still inverted, shake it vigorously eight times up and down. With the gauge end up, immerse the assembled apparatus in the bath, maintained at 37.8 ± 0.1°C (100 ± 0.2°F), in an inclined position so that the connection of the liquid and vapor chambers is below the water level and carefully examine for leaks (see Note 5). If no leaks are observed, further immerse the apparatus to at least 25 mm (1 in.) above the top of the vapor chamber. Observe the apparatus for leaks throughout the test and discard the test at anytime a leak is detected.

NOTE 5—Liquid leaks are more difficult to detect than vapor leaks. Pay particular attention to the coupling between the chambers, which is normally in the liquid section of the apparatus.

12.4 Measurement of Vapor Pressure—After the assembled apparatus has been in the water bath for at least 5 min, tap the pressure gauge lightly and observe the reading. Withdraw the apparatus from the bath and repeat the instructions of 12.3. At intervals of not less than 2 min, tap the gauge, observe the reading, and repeat 12.3 until a total of not less than five shakings and gauge readings have been made. Continue this procedure, as necessary, until the last two consecutive gauge readings are the same, indicating that equilibrium has been attained. Read the final gauge pressure to the nearest 0.25 kPa (0.05 psi) and record this value as the uncorrected vapor pressure of the sample. Without undue delay, remove the pressure gauge from the apparatus (see Note 6) without attempting to remove any liquid that may be trapped in the gauge, check its reading against that of the pressure measuring

device (see A1.6) while both are subjected to a common steady pressure that is within 1.0 kPa (0.2 psi) of the recorded uncorrected vapor pressure. If a difference is observed between the pressure measuring device and the pressure gauge readings, the difference is added to the uncorrected vapor pressure when the pressure measuring device reading is higher, or subtracted from the uncorrected vapor pressure when the pressure measuring device reading is lower, and the resulting value recorded as the Reid vapor pressure of the sample.

NOTE 6—Cooling the assembly prior to disconnecting the gauge will facilitate disassembly and reduce the amount of hydrocarbon vapors released into the room.

12.5 Preparation of Apparatus for Next Test:

12.5.1 Thoroughly purge the vapor chamber of residual sample by filling it with warm water above 32°C (90°F) and allowing it to drain. Repeat this purging at least five times. Purge the liquid chamber in the same manner. Rinse both chambers and the transfer tube several times with petroleum naphtha, then several times with acetone, then blow dry using dried air. Place the liquid chamber in the cooling bath or refrigerator in preparation for the next test.

12.5.2 If the purging of the vapor chamber is done in a bath, be sure to avoid small films of floating sample by keeping the bottom and top openings of the chamber closed as they pass through the water surface.

12.5.3 Preparation of Gauge—Disconnect the gauge from its manifold connection with the pressure measuring device and remove trapped liquid in the Bourdon tube of the gauge by repeated centrifugal thrusts. This is accomplished in the following manner: hold the gauge between the palms of the hands with the right palm on the face of the gauge and the threaded connection of the gauge forward. Extend the arms forward and upward at an angle of 45°. Swing the arms rapidly downward through an arc of about 135° so that centrifugal force aids gravity in removing trapped liquid. Repeat this operation at least three times or until all liquid has been expelled from the gauge. Connect the gauge to the vapor chamber with the liquid connection closed and place in the 37.8°C (100°F) bath to condition for the next test. (**Warning**—Do not leave the vapor chamber with the gauge attached in the water bath for a longer period of time than necessary to condition for the next test. Water vapor can condense in the Bourdon tube and lead to erroneous results.)

PROCEDURE B

FOR PETROLEUM PRODUCTS HAVING REID VAPOR PRESSURES BELOW 180 kPa (26 psi), (HORIZONTAL BATH)

13. Sampling

13.1 Refer to Section 8.

14. Preparation for Test

14.1 Refer to Section 11.

15. Procedure

15.1 Sample Transfer—Remove the sample from the cooling bath, uncap, and insert the chilled transfer tube (see Fig. 1).

Remove the liquid chamber from the cooling bath, and place the chamber in an inverted position over the top of the transfer tube. Invert the entire system rapidly so that the liquid chamber is upright with the end of the transfer tube approximately 6 mm (0.25 in.) from the bottom of the liquid chamber. Fill the chamber to overflowing (in addition to other precautions, make provision for suitable containment and disposal of the overflowing sample to avoid fire hazard). Withdraw the transfer tube from the liquid chamber while allowing the sample to continue flowing up to complete withdrawal.

15.2 *Assembly of Apparatus*—Immediately remove the vapor chamber from the water bath. Disconnect the spiral tubing at the quick action disconnect. Couple the filled liquid chamber to the vapor chamber as quickly as possible without spillage or movement that could promote exchange of room temperature air with the 37.8°C (100°F) air in the vapor chamber. Not more than 10 s shall elapse between removing the vapor chamber from the water bath and completion of the coupling of the two chambers.

15.3 *Introduction of the Apparatus into the Bath*—While holding the apparatus vertically, immediately reconnect the spiral tubing at the quick action disconnect. Tilt the apparatus between 20 and 30° downward for 4 or 5 s to allow the sample to flow into the vapor chamber without getting into the tube extending into the vapor chamber from the gauge, or pressure transducer. Place the assembled apparatus into the water bath maintained at $37.8 \pm 0.1^\circ\text{C}$ ($100 \pm 0.2^\circ\text{F}$) in such a way that the bottom of the liquid chamber engages the drive coupling and the other end of the apparatus rests on the support bearing. Turn on the switch to begin the rotation of the assembled liquid-vapor chambers. Observe the apparatus for leakage throughout the test (see [Note 5](#)). Discard the test at anytime a leak is detected.

15.4 *Measurement of Vapor Pressure*—After the assembled apparatus has been in the bath for at least 5 min, tap the pressure gauge lightly and observe the reading. Repeat the tapping and reading at intervals of not less than 2 min, until two consecutive readings are the same. (Tapping is not necessary with the transducer model but the reading intervals should be the same.) Read the final gauge or transducer pressure to the nearest 0.25 kPa (0.05 psi) and record this value as the uncorrected vapor pressure. Without undue delay, disconnect the gauge from the apparatus. Connect the gauge or pressure transducer to a pressure measuring device. Check its reading against that of the pressure measuring device while both are subjected to a common steady pressure that is within 1.0 kPa (0.2 psi) of the recorded uncorrected vapor pressure. If a difference is observed between the pressure measuring device and gauge or transducer readings, the difference is added to the uncorrected vapor pressure when the pressure measuring device reading is higher, or subtracted from the uncorrected vapor pressure when the pressure measuring device reading is lower, and the resulting value recorded as the Reid vapor pressure of the sample.

15.5 *Preparation of Apparatus for Next Test:*

15.5.1 Thoroughly purge the vapor chamber of residual sample by filling it with warm water above 32°C (90°F) and allowing it to drain. Repeat this purging at least five times.

Purge the liquid chamber in the same manner. Rinse both chambers and the transfer tube several times with petroleum naphtha, then several times with acetone, then blow dry using dried air. Place the liquid chamber in the cooling bath or refrigerator in preparation for the next test. (**Warning**—Do not leave the vapor chamber with the gauge attached in the water bath for a longer period of time than necessary to condition for the next test. Water vapor can condense in the Bourdon tube and lead to erroneous results.)

15.5.2 If the purging of the vapor chamber is done in a bath, be sure to avoid small films of floating sample by keeping the bottom and top openings of the chamber closed as they pass through the water surface.

15.5.3 *Preparation of Gauge or Transducer*—In the correct operation of this procedure, liquid should not reach the gauge or transducer. If it is observed or suspected that liquid has reached the gauge, purge the gauge as described in [12.5.3](#). The transducer has no cavity to trap liquid. Ensure that no liquid is present in the T handle fitting or spiral tubing by forcing a stream of dry air through the tubing. Connect the gauge or transducer to the vapor chamber with the liquid connection closed and place in the 37.8°C (100°F) bath to condition for the next test.

PROCEDURE C

FOR PETROLEUM PRODUCTS HAVING REID VAPOR PRESSURES ABOVE 180 kPa (26 psi)

16. Introduction

16.1 With products having vapor pressure over 180 kPa (26 psi) see [Note 7](#)), the procedure described in Sections [8-12](#) is hazardous and inaccurate. Consequently, the following sections define changes in apparatus and procedure for the determinations of vapor pressures above 180 kPa. Except as specifically stated, all the requirements of Sections [1-12](#) shall apply.

NOTE 7—If necessary, either Procedure A or B can be used to determine if the vapor pressure of a product is above 180 kPa.

17. Apparatus

17.1 Apparatus as described in [Annex A1](#) using the liquid chamber with two openings.

17.2 *Pressure Gauge Calibration*—A dead weight tester (see [A1.7](#)) may be used as a pressure measuring device (see [A1.6](#)) for checking gauge readings above 180 kPa (26 psi). In [7.1.1](#), [9.1](#), [12.4](#), and [12.5.3](#) where the words *pressure measuring device* and *pressure measuring device reading* appear, include as an alternative *dead weight tester* and *calibrated gauge reading*, respectively.

18. Hazards

18.1 The precaution in [7.1.6](#) shall not apply.

19. Sampling

19.1 Paragraphs [8.3](#), [8.3.1](#), [8.4](#), and [8.5](#) shall not apply.

19.2 *Sample Container Size*—The size of the sample container from which the vapor pressure sample is taken shall not be less than 0.5 L (1 pt) liquid capacity.

20. Preparation for Test

20.1 Paragraphs 11.1 and 11.2 shall not apply.

20.2 Any safe method of displacement of the test sample from the sample container that ensures filling the liquid chamber with a chilled, unweathered sample may be employed. Paragraphs 20.3-20.5 describe displacement by self-induced pressure.

20.3 Maintain the sample container at a temperature sufficiently high to maintain superatmospheric pressure but not substantially over 37.8°C (100°F).

20.4 Completely immerse the liquid chamber, with both valves open, in the water cooling bath for a sufficient length of time to allow it to reach the bath temperature of 0 to 4.5°C (32 to 40°F).

20.5 Connect a suitable ice-cooled coil to the outlet valve of the sample container (see Note 8).

NOTE 8—A suitable ice-cooled coil can be prepared by immersing a spiral of approximately 8 m (25 ft) of 6.35-mm (0.25-in.) copper tubing in a bucket of ice water.

21. Procedure

21.1 Paragraphs 12.1 and 12.2 shall not apply.

21.2 Connect the 6.35-mm (0.25-in.) valve of the chilled liquid chamber to the ice-cooled coil. With the 12.7-mm (0.5 in.) valve of the liquid chamber closed, open the outlet valve of the sample container and the 6.35-mm (0.25-in.) valve of the liquid chamber. Open the liquid chamber 12.7-mm (0.5-in.) valve slightly and allow the liquid chamber to fill slowly. Allow the sample to overflow until the overflow volume is 200 mL or more. Control this operation so that no appreciable drop in pressure occurs at the liquid chamber 6.35-mm (0.25-in.) valve. In the order named, close the liquid chamber 12.7-mm (0.5-in.) and 6.35-mm (0.25-in.) valves; and then close all other valves in the sample system. Disconnect the liquid chamber and the cooling coil. (**Warning**—Combustible. Keep away from heat, sparks, and open flame. Keep container closed. Use only with adequate ventilation. Avoid prolonged breathing of vapor or spray mist. Avoid prolonged, repeated contact with skin.) (**Warning**—In addition to other precautions, provide a safe means of disposal of liquid and vapor escaping during this whole operation.)

21.2.1 To avoid rupture because of the liquid-full condition of the liquid chamber, the liquid chamber must be quickly attached to the vapor chamber and the 12.7-mm (0.5-in.) valve opened.

21.3 Immediately attach the liquid chamber to the vapor chamber and open the liquid chamber 12.7-mm (0.5-in.) valve.

Not more than 25 s shall pass in completing the assembly of the apparatus after filling the liquid chamber, using the following sequence of operations:

21.3.1 Remove the vapor chamber from the water bath.

21.3.2 Connect the vapor chamber to the liquid chamber.

21.3.3 Open the liquid chamber 12.7-mm (0.5-in.) valve.

21.4 If a dead weight tester is used as a pressure measuring device (see 17.2), apply the calibration factor in kilopascals (pounds-force per square inch) established for the pressure gauge to the uncorrected vapor pressure. Record this value as the calibrated gauge reading and use in Section 9 in place of the pressure measuring device reading.

PROCEDURE D

FOR AVIATION GASOLINES APPROXIMATELY 50 kPa (7 psi) REID VAPOR PRESSURE

22. Introduction

22.1 The following sections define changes in apparatus and procedure for the determination of the vapor pressure of aviation gasoline. Except as specifically stated herein, all the requirements set forth in Sections 1-12 shall apply.

23. Apparatus

23.1 *Ratio of Vapor and Liquid Chambers*—The ratio of the volume of the vapor chamber to the volume of the liquid chamber shall be between the limits of 3.95 and 4.05 (see A1.1.4).

24. Sampling

24.1 Refer to Section 8.

25. Preparation for Test

25.1 *Checking the Pressure Gauge or Pressure Transducer*—The gauge shall be checked at 50 kPa (7 psi) against a calibrated pressure measuring device (see A1.6, A1.6.1, and A1.7) before each vapor pressure measurement to ensure that it conforms to the requirements of A1.2. This preliminary check shall be made in addition to the final gauge comparison specified in 12.4 or 15.4.

26. Procedure

26.1 Refer to Section 12.

27. Keywords

27.1 crude oils; gasoline; Reid vapor pressure; spark-ignition engine fuel; vapor pressure; volatility

ANNEXES

(Mandatory Information)

A1. APPARATUS FOR VAPOR PRESSURE TEST PROCEDURE A

A1.1 *Reid Vapor Pressure Apparatus*, consisting of two chambers, a vapor chamber (upper section) and a liquid chamber (lower section), shall conform to the following requirements:

A1.1.1 *Vapor Chamber*—The upper section or chamber, as shown in Fig. A1.1, shall be a cylindrical vessel having the inside dimensions of 51 ± 3 mm ($2 \pm \frac{1}{8}$ in.) in diameter and 254 ± 3 mm ($10 \pm \frac{1}{8}$ in.) in length, with the inner surfaces of the ends slightly sloped to provide complete drainage from either end when held in a vertical position. On one end of the vapor chamber, a suitable gauge coupling with an internal diameter of not less than 4.7 mm ($\frac{3}{16}$ in.) shall be provided to receive the 6.35-mm ($\frac{1}{4}$ -in.) gauge connection. In the other end of the vapor chamber, an opening approximately 12.7 mm ($\frac{1}{2}$ in.) in diameter shall be provided for coupling with the liquid chamber. Care shall be taken that the connections to the openings do not prevent the chamber from draining completely.

A1.1.2 *Liquid Chamber—One Opening*—The lower section or liquid chamber, as shown in Fig. A1.1, shall be a cylindrical vessel of the same inside diameter as the vapor chamber and of such a volume that the ratio of the volume of the vapor chamber to the volume of the liquid chamber shall be between

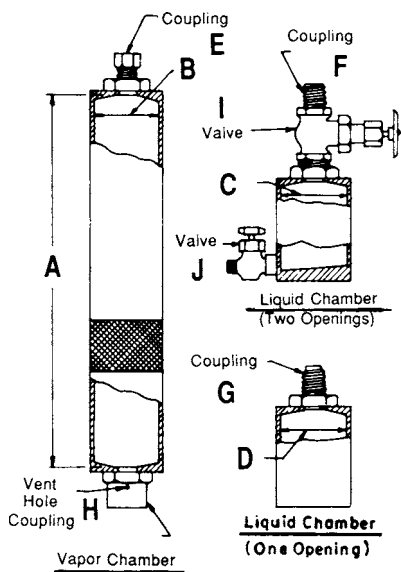
3.8 and 4.2. (see A1.1.3). In one end of the liquid chamber an opening of approximately 12.7 mm ($\frac{1}{2}$ in.) in diameter shall be provided for coupling with the vapor chamber. The inner surface of the coupling end shall be sloped to provide complete drainage when inverted. The other end of the chamber shall be completely closed. (**Warning**—To maintain the correct volume ratio between the vapor chamber and the liquid chamber, paired chambers shall not be interchanged without recalibration to ascertain that the volume ratio is within the required limits.)

A1.1.3 The ratio of paired vapor and liquid chambers to be used for aviation gasoline testing shall be between 3.95 and 4.05.

A1.1.4 *Liquid Chamber—Two Openings*—For sampling from closed vessels, the liquid section of liquid chamber, as shown in Fig. A1.1, shall be essentially the same as the liquid chamber described in A1.1.2, except that a 6.35-mm (0.25-in.) valve shall be attached near the bottom of the liquid chamber and a 12.7-mm (0.5-in.) straight-through, full-opening valve shall be introduced in the coupling between the chambers. The volume of the liquid chamber, including only the capacity enclosed by the valves, shall fulfill the volume ratio requirements as set forth in A1.1.2.

A1.1.5 In determining the capacities for the two-opening liquid chamber (Fig. A1.1), the capacity of the liquid chamber shall be considered as that below the 12.7-mm (0.5-in.) valve closure. The volume above the 12.7-mm (0.5-in.) valve closure, including the portion of the coupling permanently attached to the liquid chamber, shall be considered as a part of the vapor chamber capacity.

A1.1.6 *Method of Coupling Vapor and Liquid Chambers*—Any method of coupling the vapor and liquid chambers can be employed, provided that no sample is lost from the liquid chamber during the coupling operation, that no compression effect is caused by the act of coupling, and that the assembly is free of leaks under the conditions of the tests. To avoid displacement of sample during assembly, the male fitting of the coupling must be on the liquid chamber. To avoid compression of air during assembly, a vent hole must be present to ensure atmospheric pressure in the vapor chamber at the instant of sealing. (**Warning**—Some commercially available apparatus do not make adequate provision for avoiding air compression effects. Before employing any apparatus, it shall be established that the act of coupling the two chambers does not compress air in the vapor chamber. This can be accomplished by tightly stoppering the liquid chamber and coupling the apparatus in the normal manner, utilizing a 0 to 35 kPa (0 to 5 psi) gauge. Any observable pressure increase on the gauge is an indication that the apparatus does not adequately meet the specifications of this test method. If this problem is encountered, consult the manufacturer for a remedy.)



DIMENSIONS OF VAPOR PRESSURE APPARATUS

Key	Description	mm	in.
A	Vapor chamber, length	254 ± 3	$10 \pm \frac{1}{8}$
B, C, D	Vapor and gasoline chambers, Liquid ID	51 ± 3	$2 \pm \frac{1}{8}$
E	Coupling, ID min	4.7	$\frac{3}{16}$
F, G	Coupling, OD	12.7	$\frac{1}{2}$
H	Coupling, ID	12.7	$\frac{1}{2}$
I	Valve	12.7	$\frac{1}{2}$
J	Valve	6.35	$\frac{1}{4}$

FIG. A1.1 Vapor Pressure Apparatus

A1.1.7 Volumetric Capacity of Vapor and Liquid Chambers—To ascertain if the volume ratio of the chambers is within the specified limits of 3.8 to 5.2 (see A1.1.3), carefully measure a quantity of water greater than will be required to fill the two chambers. (A dispensing buret is a convenient vessel for this operation.) Without spillage fill the liquid chamber completely. The difference between the original volume and the remaining volume of the measured water quantity is the volume of the liquid chamber. Without spillage couple the liquid and vapor chambers and fill the vapor chamber to the seat of the gauge connection with more of the measured water. The difference between the final volume of the measured water quantity and the intermediate volume measured after ascertaining the liquid chamber volume is the volume of the vapor chamber.

A1.2 Pressure Gauge—The pressure gauge shall be a Bourdon type spring gauge of test gauge quality 100 to 150 mm (4.5 to 6.5 in.) in diameter provided with a nominal 6.35-mm (0.25-in.) male thread connection with a passageway not less than 4.7 mm ($\frac{3}{16}$ in.) in diameter from the Bourdon tube to the atmosphere. The range and graduations of the pressure gauge shall be governed by the vapor pressure of the sample being tested, in accordance with Table A1.1. Only accurate gauges shall be continued in use. When the gauge reading differs from the pressure measuring device reading, or dead-weight tester reading when testing gauges above 180 kPa (26 psi), by more than 1 % of the scale range of the gauge, the gauge shall be considered inaccurate. For example, the calibration correction shall not be greater than 0.3 kPa (0.15 psi) for a 0 to 30-kPa (0 to 15-psi) gauge or 0.9 kPa (0.3 psi) for a 0 to 90-kPa (0 to 30-psi) gauge.

NOTE A1.1—Gauges 90 mm (3.5 in.) in diameter can be used in the 0 to 35 kPa (0 to 5 psi) range.

A1.3 Cooling Bath—A cooling bath shall be provided of such dimensions that the sample containers and the liquid chambers can be completely immersed. Means for maintaining the bath at a temperature between 0 and 1 (32 and 34°F) must be provided. Do not use solid carbon dioxide to cool samples in storage or in the preparation of the air saturation step.

Carbon dioxide is appreciably soluble in gasoline and its use has been found to be the cause of erroneous vapor pressure data.

A1.4 Water Bath—The water bath shall be of such dimensions that the vapor pressure apparatus can be immersed to at least 25.4 mm (1 in.) above the top of the vapor chamber. Means for maintaining the bath at a constant temperature of $37.8 \pm 0.1^\circ\text{C}$ ($100 \pm 0.2^\circ\text{F}$) shall be provided. In order to check this temperature, the bath thermometer shall be immersed to the 37°C (98°F) mark throughout the vapor pressure determination.

A1.5 Thermometer—An ASTM Reid Vapor Pressure Thermometer 18C (18F) having a range from 34 to 42°C (94 to 108°F) and conforming to the requirements in Specification E1.

A1.6 Pressure Measuring Device—A pressure measuring device having a range suitable for checking the pressure gauge employed shall be used. The pressure measuring device shall have a minimum accuracy of 0.5 kPa (0.07 psi) with increments no larger than 0.5 kPa (0.07 psi).

A1.6.1 When a mercury manometer is not used as the pressure measuring device, the calibration of the pressure measuring device employed shall be periodically checked (with traceability to a nationally recognized standard) to ensure that the device remains within the required accuracy specified in A1.6.

A1.7 Dead-Weight Tester—A dead weight tester may be used as the pressure measuring device (A1.6) for checking gauge readings above 180 kPa (26 psi).

A1.8 Sample Transfer Connection—This is a device for removing liquid from the sample container without interfering with the vapor space. The device consists of two tubes inserted into a two-holed stopper of appropriate dimensions to fit the opening of the sample container. One of the tubes is short for the delivery of the sample, and the other is long enough to reach the bottom corner of the sample container. Fig. A1.2 shows a suitable arrangement.

TABLE A1.1 Pressure Gauge Range and Graduations

Reid Vapor Pressure		Gauge to be Used						
		Scale Range		Maximum Numbered Intervals		Maximum Intermediate Graduations		
kPa	psi	kPa	psi	kPa	psi	kPa	psi	
≤ 27.5	≤ 4	0–35	0–5	5.0	1	0.5	0.1	
20.0–75.0	3–12	0–100	0–15	15.0	3	0.5	0.1	
70.0–180.0	10–26	0–200	0–30	25.0	5	1.0	0.2	
70.0–250.0	10–36	0–300	0–45	25.0	5	1.0	0.2	
200.0–375.0	30–55	0–400	0–60	50.0	10	1.5	0.25	
≥ 350.0	≥ 50	0–700	0–100	50.0	10	2.5	0.5	

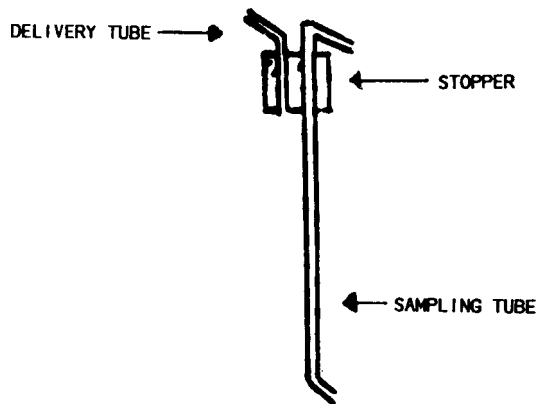


FIG. A1.2 Sample Transfer Connection

A2. APPARATUS FOR VAPOR PRESSURE TEST PROCEDURE B

A2.1 Vapor Pressure Apparatus—Refer to A1.1.1 through A1.1.7.

A2.2 Pressure Gauge—The pressure measuring system shall be a Bourdon type spring gauge, as described in A1.2 or a suitable pressure transducer and digital readout. The pressure measuring system shall be remotely mounted from the vapor pressure apparatus and terminations provided for use of a quick connection type fitting.

A2.3 Cooling Bath—(Warning—To maintain the correct volume ratio between the vapor chamber and the liquid chamber, paired chambers shall not be interchanged without recalibration to ascertain that the volume ratio is within the required limits.)

A2.4 Water Bath—The water bath shall be of such dimensions that the vapor pressure apparatus can be immersed in a horizontal position. Provision shall be made to rotate the apparatus on its axis 350° in one direction and then 350° in the opposite direction in repetitive fashion. Means for maintaining the bath at a constant temperature of 37.8 ± 0.1°C (100 ± 0.2°F) shall be provided. In order to check this temperature, the bath thermometer shall be immersed to the 37°C (98°F) mark throughout the vapor pressure determination. A suitable bath is shown in Fig. A2.1 and is available commercially.

A2.5 Thermometers—Refer to A1.5.

A2.6 Pressure Measuring Device—Refer to A1.6.

A2.7 Flexible Coupler—A suitable flexible coupling shall be provided for connection of the rotating vapor pressure apparatus to the pressure measuring device.

A2.8 Vapor Chamber Tube—The vapor chamber tube of inner diameter 3 mm (1/8 in.) and length of 114 mm (4.5 in.)

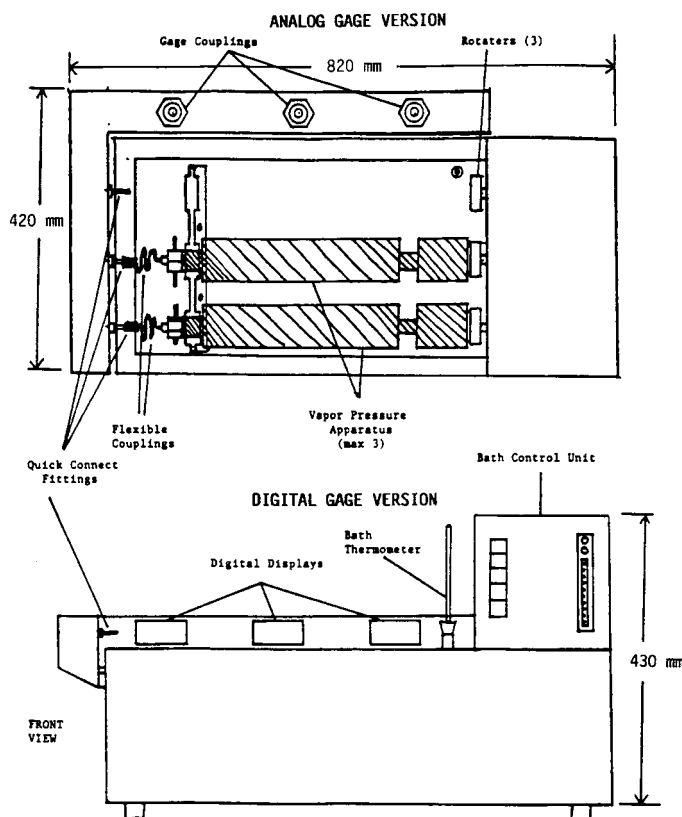


FIG. A2.1 Apparatus for Vapor Pressure, Procedure B

shall be inserted into the pressure measuring end of the vapor chamber to prevent liquid from entering the vapor pressure measuring connections (see Fig. A2.2).

A2.9 Sample Transfer Connection—Refer to A1.8.

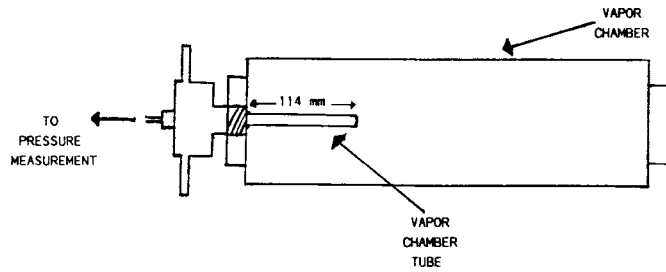


FIG. A2.2 Vapor Chamber Tube Inserted in Vapor Chamber

SUMMARY OF CHANGES

Subcommittee D02.08 has identified the location of selected changes to this standard since the last issue (D323–06) that may impact the use of this standard.

(I) Updated 17.2, 21.4, 25.1, and A1.7.

ASTM International takes no position respecting the validity of any patent rights asserted in connection with any item mentioned in this standard. Users of this standard are expressly advised that determination of the validity of any such patent rights, and the risk of infringement of such rights, are entirely their own responsibility.

This standard is subject to revision at any time by the responsible technical committee and must be reviewed every five years and if not revised, either reapproved or withdrawn. Your comments are invited either for revision of this standard or for additional standards and should be addressed to ASTM International Headquarters. Your comments will receive careful consideration at a meeting of the responsible technical committee, which you may attend. If you feel that your comments have not received a fair hearing you should make your views known to the ASTM Committee on Standards, at the address shown below.

This standard is copyrighted by ASTM International, 100 Barr Harbor Drive, PO Box C700, West Conshohocken, PA 19428-2959, United States. Individual reprints (single or multiple copies) of this standard may be obtained by contacting ASTM at the above address or at 610-832-9585 (phone), 610-832-9555 (fax), or service@astm.org (e-mail); or through the ASTM website (www.astm.org). Permission rights to photocopy the standard may also be secured from the ASTM website (www.astm.org/COPYRIGHT).