



Standard Test Method for Evaporation Loss of Lubricating Greases and Oils¹

This standard is issued under the fixed designation D972; the number immediately following the designation indicates the year of original adoption or, in the case of revision, the year of last revision. A number in parentheses indicates the year of last reapproval. A superscript epsilon (ϵ) indicates an editorial change since the last revision or reapproval.

This standard has been approved for use by agencies of the Department of Defense.

1. Scope

1.1 This test method covers the determination of the loss in mass by evaporation of lubricating greases and oils for applications where evaporation loss is a factor. Evaporation loss data can be obtained at any temperature in the range from 100 to 150°C (210 to 300°F).

1.2 The values stated in SI units are to be regarded as standard. The values in given in parentheses are for information only.

1.3 *This standard does not purport to address all of the safety concerns, if any, associated with its use. It is the responsibility of the user of this standard to establish appropriate safety and health practices and determine the applicability of regulatory limitations prior to use.*

2. Referenced Documents

2.1 ASTM Standards:²

A240/A240M Specification for Chromium and Chromium-Nickel Stainless Steel Plate, Sheet, and Strip for Pressure Vessels and for General Applications

D217 Test Methods for Cone Penetration of Lubricating Grease

D2595 Test Method for Evaporation Loss of Lubricating Greases Over Wide-Temperature Range

E1 Specification for ASTM Liquid-in-Glass Thermometers

3. Terminology

3.1 Definitions:

3.1.1 *lubricating grease, n*—a semi-fluid to solid product of a thickener in a liquid lubricant.

3.1.1.1 *Discussion*—The dispersion of the thickener forms a two-phase system and immobilizes the liquid lubricant by

¹ This test method is under the jurisdiction of ASTM Committee D02 on Petroleum Products and Lubricants and is the direct responsibility of Subcommittee D02.G0.03 on Physical Tests.

Current edition approved May 1, 2008. Published July 2008. Originally approved in 1948. Last previous edition approved in 2002 as D972–02. DOI: 10.1520/D0972-02R08.

² For referenced ASTM standards, visit the ASTM website, www.astm.org, or contact ASTM Customer Service at service@astm.org. For *Annual Book of ASTM Standards* volume information, refer to the standard's Document Summary page on the ASTM website.

surface tension and other physical forces. Other ingredients are commonly **D217** included to impart special properties.

3.1.2 *thickener, n*—in lubricating grease, a substance composed of finely divided particles dispersed in a liquid to form the product's structure.

3.1.2.1 *Discussion*—Thickeners can be fibers (such as various metallic soaps) or plates or spheres (such as certain non-soap thickeners), which are insoluble or, at most, only very slightly soluble in the liquid lubricant. The general requirements are that the solid particles are extremely small, uniformly dispersed, and capable of forming a relatively stable, gel-like structure with the **D217** liquid lubricant.

4. Summary of Test Method

4.1 The weighed sample of lubricant in an evaporation cell is placed in a bath maintained at the desired test temperature. Heated air is passed over its surface for 22 h. The evaporation loss is calculated from the loss in mass of the sample.

5. Significance and Use

5.1 The loss of volatile materials from greases and oils can adversely effect the original performance characteristics of a lubricant and therefore could be a significant factor in evaluating a lubricant for a specific use. Such volatiles can also be considered contaminants in the environment in which the lubricant is to be used. Correlation between results from this test method and service performance has not been established.

5.2 The test can be run at any agreed upon temperature between 100 and 150°C (210 to 300°F).

NOTE 1—The specified flow of air, 2.58 ± 0.02 g/min, (2 L/min at standard temperature and pressure), assumes dry air. It is not known that the original work involved dry air but it has since been shown that this can be a factor in reproducibility and should be addressed. A dew point of less than 10°C at standard temperature and pressure will be satisfactory.

NOTE 2—To determine evaporation loss at temperatures above 150°C (300°F), see Test Methods **D2595**.

6. Apparatus

6.1 *Evaporation Cell*, (**Fig. 1**) as described in **Annex A1**.

6.2 *Air Supply System*, capable of supplying to the cell the required flow of air free of entrained particles. A 400-mm (16-in.) length of 25-mm (1-in.) diameter pipe packed with glass wool has been found satisfactory for filtering the air.

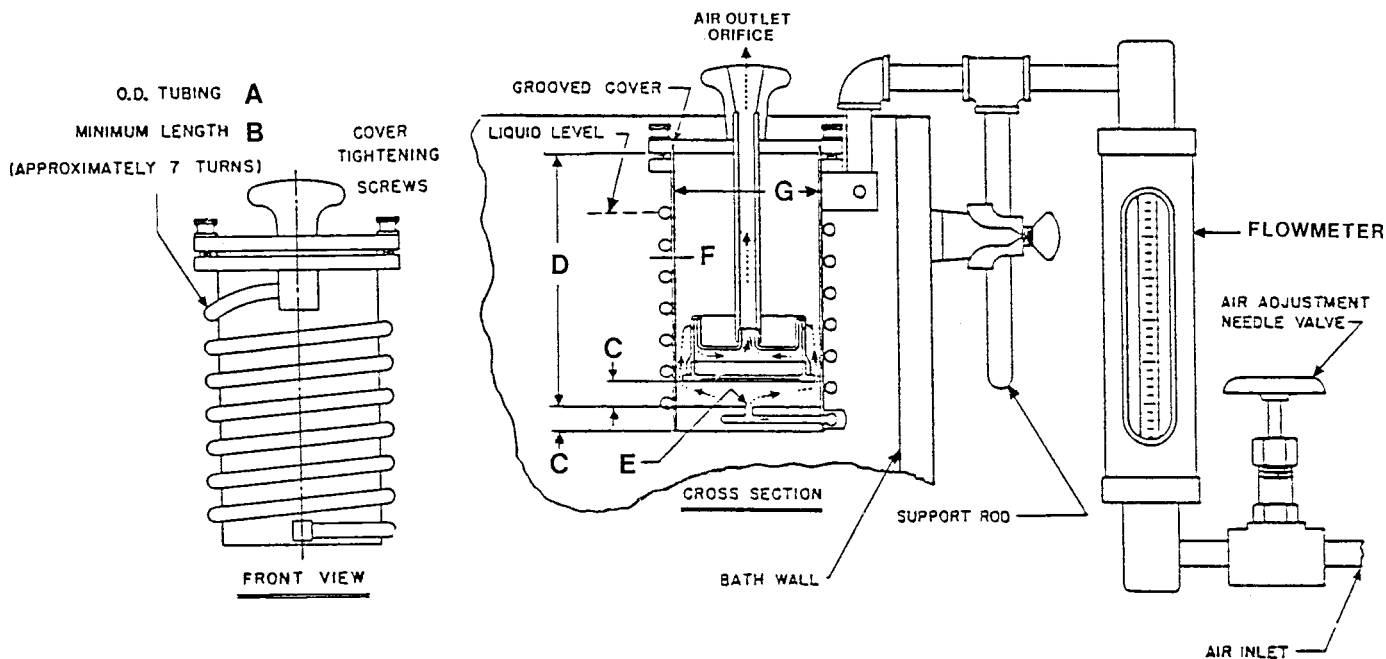


FIG. 1 Evaporation Test Cell

FIG. 1a Assembled Apparatus

Key	mm	in.
A	6.4	0.25
B	1830	72
C	13	0.5 ± 0.1 = 25

Key	mm	in.
D	124/130	5.0 ± 0.125
E	3.2	0.125
F	1.3/1.8	0.051/0.072
G	73.1	2.875

Tolerances: ±0.4 mm (±0.0156 in.) unless otherwise noted

6.3 Oil Bath, shown in Fig. 1a and described in Annex A1.

NOTE 3—Other constant-temperature baths may be used if they are equivalent in heat capacity and thermal gradient characteristics to the oil bath.

6.4 Thermometers—For tests at 100°C (210°F) an ASTM Thermometer having a range from 95 to 103°C (204 to 218°F) and conforming to the requirements for Thermometer 22C-86 (22F-86) as prescribed in Specification E1 shall be used. For tests at temperatures above 100°C (210°F) an ASTM Precision Thermometer conforming to the requirements for Thermometer 67C-86 (67F-86) as prescribed in Specification E1 is suitable.

6.5 Flowmeter—A rotameter calibrated to deliver air at a rate of 2.58 ± 0.02 g/min between 15 and 30°C (60 and 85°F) (2 L/min at standard temperature and pressure). It shall be furnished with a needle valve and mounted as shown in Fig. 1.

7. Sampling

7.1 Each grease test will require approximately 20 g to fill the sample cup for a single cup for a single run. Therefore, the sample presented for analysis should be large enough to make possible the selection of a representative portion for testing. Examine the sample for any indication of non-homogeneity such as oil separation, phase changes, or gross contamination. If any abnormal conditions are found, obtain a new sample.

7.2 Each oil test will require at least 10 g of sample for a single run. Therefore, sufficient sample should be available to observe any gross contamination or phase separation. If any abnormal conditions are found, obtain a new sample.

8. Preparation of Apparatus

8.1 Clean and inspect all components and particularly for wear or damage to threads on sample cups and hood assemblies. Repair or replace if mating is impaired.

8.2 Verify unrestricted air flow through tubing on test cell and through eduction tube through cover.

8.3 Check that the oil bath is filled with a sufficient quantity of fluid to allow submersion of the evaporation cell to the proper level as required in 9.2.

8.4 Check flowmeter before running any test if there is doubt of its accuracy.

9. Procedure for Greases

9.1 Weigh the clean grease-sample cup and hood (Fig. 2) to the nearest 1 mg. Remove the hood and fill the cup with sample, taking care to avoid occlusion of air. Smooth the surface level with the rim of the cup with a straight-edged spatula. Remove with a clean cloth any grease which may remain on the rim or threads of the cup. Thread the hood tightly onto the cup without disturbing the smoothed grease surface. Weigh the assembly and record the mass of the sample to the nearest 1 mg.

9.2 With the cover in place, but without the hood and sample cup attached, allow the evaporation cell to acquire the temperature of the bath (controlled to ±0.5°C (±1°F)) at which the test is to be made by immersing the cell in the bath, as shown in Fig. 2. Ensure the cell is immersed to the designated depth using the support rod adjustment. Allow the cell to remain in the bath at least ½ h before beginning the test.

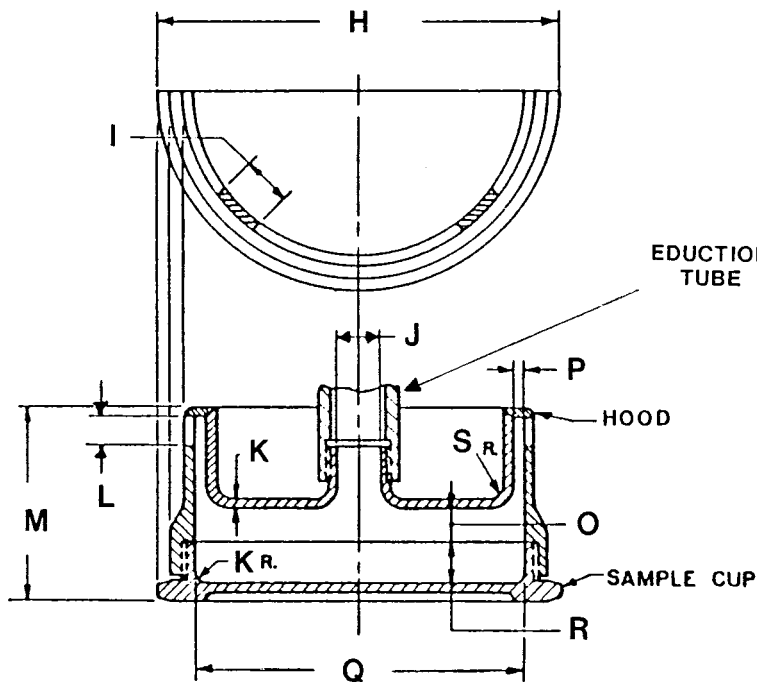


FIG. 2 Grease Sample Cup

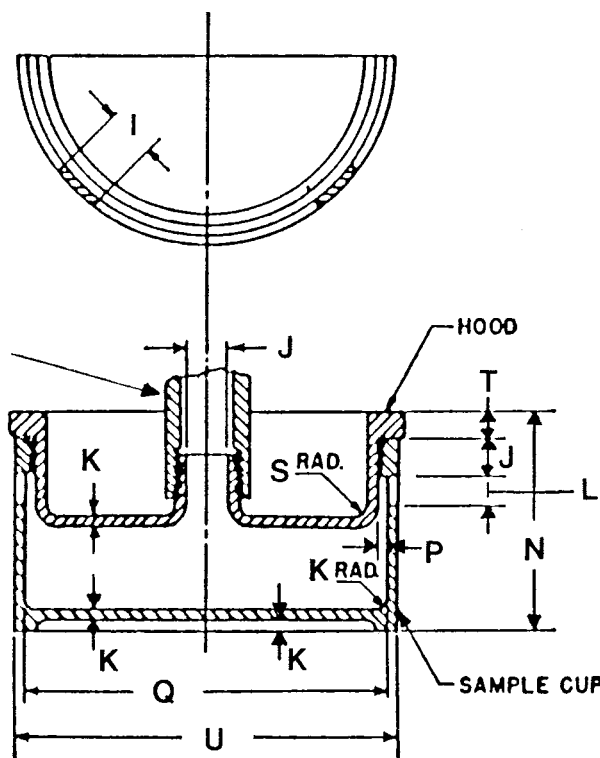


FIG. 2a Oil Sample Cup

Key	mm	in.
H	66	2.625
I	7.62	0.3125
J	6.35	0.25
K	1.6	0.0625
L	5	0.1875
M	33	1.3125
N	40	1.6

Key	mm	in.
O	5.40/5.65	0.213/0.223
P	1.45/1.70	0.057/0.067
Q	54.64/54.89	2.15/2.16
R	6.9/7.4	0.27/0.29
S	3	0.125
T	4	0.16
U	58.7	2.3

Tolerances: ± 0.4 mm (± 0.0156 in.) unless otherwise noted

During this period, allow clean air to flow through the cell at the prescribed rate, 2.58 ± 0.02 g/min (2 L/min at standard temperature and pressure), as indicated by the rotameter. Remove the cover, thread the weighed hood and sample cup into place, and replace the cover. Tighten the three cover-tightening screws securely to prevent air leakage under the cover. Pass clean air through the cell at the prescribed rate for $22 \text{ h} \pm 5 \text{ min}$.

9.3 Remove the assembled sample cup and hood from the cell. At the end of the 22-h period allow to cool to room temperature. Determine the mass of the sample to the nearest 1 mg.

10. Procedure for Oils

10.1 Weigh the clean oil-sample cup and hood (Fig. 2a) to the nearest 1 mg. Transfer, by means of a pipet, 10.00 ± 0.05 g of sample to the cup. Assemble the cup and hood, being careful not to splash oil on the underside of the hood. Weigh the assembly and record the net sample mass to the nearest 1 mg.

10.2 Evaporate the sample as described in 9.2 and 9.3.

11. Calculation

11.1 Calculate the evaporation loss of the sample as follows:

$$\text{Evaporation loss, mass \%} = [(S - W)/S] \times 100 \quad (1)$$

where:

S = initial mass of sample, g, and

W = mass of sample, g, after the test.

12. Precision and Bias

12.1 The precision of this test method is not known to have been obtained in accordance with currently accepted guidelines (in Committee D02 research report D02-1007, "Manual on Determining Precision Data for ASTM Methods on Petroleum Products and Lubricants").

12.2 The precision of this test method as determined by statistical examination of interlaboratory results is as follows:

12.2.1 *Repeatability*—The difference between two test results, obtained by the same operator with the same apparatus under constant operating conditions on identical test material,

would in the long run, in the normal and correct operation of the test method, exceed the following value only in one case in twenty:

$$0.025M \quad (2)$$

where:

M = mean of two values.

12.2.2 *Reproducibility*—The difference between two single and independent results obtained by different operators working in different laboratories on identical test material would, in the long run, in the normal and correct operation of the test method, exceed the following value only in one case in twenty:

$$0.10M \quad (3)$$

where:

M = mean of two values.

12.3 *Bias*—The procedure in this test method for measuring evaporation loss of lubricating greases and oils has no bias because the value of loss in mass is defined only in terms of this test method.

13. Keywords

13.1 evaporation; grease; oil; oil bath; rotameter; volatiles

ANNEX

(Mandatory Information)

A1. APPARATUS

A1.1 *Evaporation Cell*, with attachments conforming with the dimensional tolerances as indicated in Fig. 1 and Fig. 1a and capable of being supported upright in the oil bath. Other structural details are as follows:

A1.1.1 The body and cover of the cell shall be constructed of stainless steel and the air-heating coil of tinned copper tubing.

A1.1.2 The sample cups (recommended maximum mass 200 g each), hood, eduction tube, and orifice shall be constructed of 18 % chromium, 8 % nickel alloy steel. A suitable material is an alloy steel conforming to Grade S, Type 304, of Specification A240/A240M. To facilitate removal and separation of the cup and hood for inserting the sample and weighing, the sample cup shall be threaded to the hood and this in turn to the eduction tube of the cover.

A1.1.3 The cover of the cell shall be made airtight.

A1.2 *Oil Bath*, of sufficient depth to allow submersion of the evaporation cell to the proper level and capable of being controlled at the desired test temperature within $\pm 0.5^{\circ}\text{C}$ ($\pm 1^{\circ}\text{F}$), with a maximum variation throughout the bath of $\pm 0.5^{\circ}\text{C}$ ($\pm 1^{\circ}\text{F}$). Circulation of the oil heating medium by a pump or stirrer is recommended. Sufficient heat capacity shall be provided to return the bath to the required temperature within 60 min after immersion of the cell. The bath shall be provided with a temperature well such that the thermometer used can be inserted to its proper immersion depth. The bath shall be arranged so that there are no wide fluctuations in temperature around the evaporation cell.

ASTM International takes no position respecting the validity of any patent rights asserted in connection with any item mentioned in this standard. Users of this standard are expressly advised that determination of the validity of any such patent rights, and the risk of infringement of such rights, are entirely their own responsibility.

This standard is subject to revision at any time by the responsible technical committee and must be reviewed every five years and if not revised, either reapproved or withdrawn. Your comments are invited either for revision of this standard or for additional standards and should be addressed to ASTM International Headquarters. Your comments will receive careful consideration at a meeting of the responsible technical committee, which you may attend. If you feel that your comments have not received a fair hearing you should make your views known to the ASTM Committee on Standards, at the address shown below.

This standard is copyrighted by ASTM International, 100 Barr Harbor Drive, PO Box C700, West Conshohocken, PA 19428-2959, United States. Individual reprints (single or multiple copies) of this standard may be obtained by contacting ASTM at the above address or at 610-832-9585 (phone), 610-832-9555 (fax), or service@astm.org (e-mail); or through the ASTM website (www.astm.org). Permission rights to photocopy the standard may also be secured from the ASTM website (www.astm.org/COPYRIGHT).