



Standard Test Method for Measurement of Extreme-Pressure Properties of Lubricating Fluids (Four-Ball Method)¹

This standard is issued under the fixed designation D2783; the number immediately following the designation indicates the year of original adoption or, in the case of revision, the year of last revision. A number in parentheses indicates the year of last reapproval. A superscript epsilon (ϵ) indicates an editorial change since the last revision or reapproval.

1. Scope

1.1 This test method covers the determination of the load-carrying properties of lubricating fluids. The following two determinations are made:

1.1.1 Load-wear index (formerly Mean-Hertz load).

1.1.2 Weld point by means of the four-ball extreme-pressure (EP) tester.

1.2 For the determination of the load-carrying properties of lubricating greases, see Test Method D2596.

1.3 This standard does not purport to address all of the safety concerns, if any, associated with its use. It is the responsibility of the user of this standard to establish appropriate safety and health practices and determine the applicability of regulatory limitations prior to use.

1.4 The values stated in SI units are to be regarded as the standard. The values given in parentheses are for information only.

2. Referenced Documents

2.1 ASTM Standards:²

D2596 Test Method for Measurement of Extreme-Pressure Properties of Lubricating Grease (Four-Ball Method)

2.2 ANSI Standard:

B 3.12 Metal Balls³

3. Terminology

3.1 Definitions:

3.1.1 *compensation line*—a line of plot on logarithmic paper, as shown in Fig. 1, where the coordinates are scar diameter in millimetres and applied load in kilograms-force (or newtons), obtained under dynamic conditions.

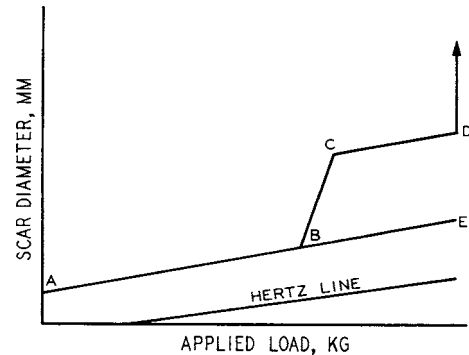
¹ This test method is under the jurisdiction of ASTM Committee D02 on Petroleum Products and Lubricants and is the direct responsibility of Subcommittee D02.L0.11 on Tribological Properties of Industrial Fluids and Lubricates.

Current edition approved April 15, 2009. Published July 2009. Originally approved in 1969. Last previous edition approved in 2003 as D2783 – 03.

This method was prepared under the joint sponsorship of the American Society of Lubrication Engineers. Accepted by ASLE January 1969. DOI: 10.1520/D2783-03R09.

² For referenced ASTM standards, visit the ASTM website, www.astm.org, or contact ASTM Customer Service at service@astm.org. For Annual Book of ASTM Standards volume information, refer to the standard's Document Summary page on the ASTM website.

³ Available from American National Standards Institute (ANSI), 25 W. 43rd St., 4th Floor, New York, NY 10036.



ABE—Compensation line.
B—Point of last nonseizure load.
BC—Region of incipient seizure.
CD—Region of immediate seizure.
D—Weld point.

FIG. 1 Schematic Plot of Scar Diameter Versus Applied Load

3.1.1.1 *Discussion*—Coordinates for the compensation line are found in Table 1, Columns 1 and 3.

3.1.1.2 *Discussion*—Some lubricants give coordinates which are above the compensation line. Known examples of such fluids are methyl phenyl silicone, chlorinated methyl phenyl silicone, silphenylene, phenyl ether, and some mixtures of petroleum oil and chlorinated paraffins.

3.1.2 *compensation scar diameter*—the average diameter, in millimetres, of the wear scar on the stationary balls caused by the rotating ball under an applied load in the presence of a lubricant, but without causing either seizure or welding.

3.1.2.1 *Discussion*—The wear scar obtained shall be within 5 % of the values noted in Table 1, Column 3.

3.1.3 *corrected load*—the load in kilograms-force (or newtons) for each run obtained by multiplying the applied load by the ratio of the Hertz scar diameter to the measured scar diameter at that load.

3.1.4 *Hertz line*—a line of plot on logarithmic paper, as shown in Fig. 1, where the coordinates are scar diameter in millimetres and applied load in kilograms-force (or newtons), obtained under static conditions.

3.1.5 *Hertz scar diameter*—the average diameter, in millimetres, of an indentation caused by the deformation of the balls under static load (prior to test). It may be calculated from the equation

TABLE 1 Suggested Form for Recording Test Results

Column 1 Applied Load, kg ^A (L)	Column 2 Average Scar Diameter, mm (X)	Column 3 Compensation Scar Diameter, mm	Column 4 LD_h Factor	Column 5 Corrected Load, kg ^A (LD_h/X)
6			0.95	
8			1.40	
10		0.21	1.88	
13		0.23	2.67	
16		0.25	3.52	
20		0.27	4.74	
24		0.28	6.05	
32		0.31	8.87	
40		0.33	11.96	
50		0.36	16.10	
63		0.39	21.86	
80		0.42	30.08	
100		0.46	40.5	
126		0.50	55.2	
160		0.54	75.8	
200		0.59	102.2	
250			137.5	
315			187.1	
400			258	
500			347	
620			462	
800			649	

^A To convert from kilograms-force to newtons, multiply by 9.806.

$$D_h = 8.73 \times 10^{-2}(P)^{1/3} \quad (1)$$

where:

D_h = Hertz diameter of the contact area, and

P = the static applied load.

3.1.6 *immediate seizure region*—that region of the scar-load curve characterized by seizure or welding at the startup or by large wear scars. Initial deflection of indicating pen on the optional friction-measuring device is larger than with nonseizure loads. See Fig. 1.

3.1.7 *incipient seizure or initial seizure region*—that region at which, with an applied load, there is a momentary breakdown of the lubricating film. This breakdown is noted by a sudden increase in the measured scar diameter and a momentary deflection of the indicating pen of the optional friction-measuring device. See Fig. 1.

3.1.8 *last nonseizure load*—the last load at which the measured scar diameter is not more than 5 % above the compensation line at the load. See Fig. 1.

3.1.9 *load-wear index* (or the load-carrying property of a lubricant)—an index of the ability of a lubricant to minimize wear at applied loads. Under the conditions of this test, specific loadings in kilograms-force (or newtons) having intervals of approximately 0.1 logarithmic units, are applied to the three stationary balls for ten runs prior to welding. The load-wear index is the average of the sum of the corrected loads determined for the ten applied loads immediately preceding the weld pair.

3.1.10 *weld point*—under the conditions of this test, the lowest applied load in kilograms at which the rotating ball welds to the three stationary balls, indicating the extreme-pressure level of the lubricants-force (or newtons) has been exceeded.

3.1.10.1 *Discussion*—Some lubricants do not allow true welding, and extreme scoring of the three stationary balls

results. In such cases, the applied load which produces a maximum scar diameter of 4 mm is reported as the weld point.

4. Summary of Test Method

4.1 The tester is operated with one steel ball under load rotating against three steel balls held stationary in the form of a cradle. Test lubricant covers the lower three balls. The rotating speed is 1760 ± 40 rpm. The machine and test lubricant are brought to 18 to 35°C (65 to 95°F) and then a series of tests of 10-s duration are made at increasing loads until welding occurs. Ten tests are made below the welding point. If ten loads have not been run when welding occurs and the scars at loads below seizure are within 5 % of the compensation line (AB Fig. 1) no further runs are necessary. The total can be brought to ten by assuming that loads below the last nonseizure load will produce wear scars equal to the “compensation scar diameter.” Values of these “assumed” scars are given in Table 1. For clarification of “last nonseizure load” and “weld point” see Fig. 1.⁴

5. Significance and Use

5.1 This test method, used for specification purposes, differentiates between lubricating fluids having low, medium, and high level of extreme-pressure properties. The user of this method should determine to his own satisfaction whether results of this test procedure correlate with field performance or other bench test machines.

6. Apparatus

6.1 *Four-Ball Extreme-Pressure Tester*,⁵ illustrated in Figs. 2 and 3.

NOTE 1—It is important to distinguish between the four-ball EP tester and the four-ball wear tester. The four-ball EP tester is designed for testing under more severe conditions and lacks the sensitivity necessary for the four-ball wear test.

6.2 *Microscope*, equipped with a calibrated measuring scale and readable to an accuracy of 0.01 mm.

6.3 *Timer*, graduated in tenths of a second.

NOTE 2—Optional equipment with four-ball apparatus consists of a friction-measuring device electrically driven and conveniently graduated in 10-s markings.

7. Materials

7.1 *Cleaning Solvent*, safe, non-film forming, nonchlorinated. (**Warning**—Flammable. Harmful if inhaled. See A1.1.)

NOTE 3—Certain petroleum distillates, formerly used as solvents, have been eliminated due to possible toxic effects. Each user should select a solvent that can meet applicable safety requirements and thoroughly clean machine parts. Reagent Grade Stoddard solvent is an example of a solvent that has been found suitable.

⁴ Further details applicable to this method may be found in: Sayles, F. S., et al., “The Four-Ball E. P. Tester, An ASTM Method of Test,” *National Lubricating Grease Institute*, NLGIA, Vol 32, No. 5, August 1968, pp. 162–167.

⁵ Satisfactory sources of supply for this instrument are Falex Corp., 1020 Airpark Dr., Sugar Grove, IL 60554–9585 and Stanhope-Seta Ltd., Park Close, Egham, Englefield Green, Surrey, England TW20 OXD.

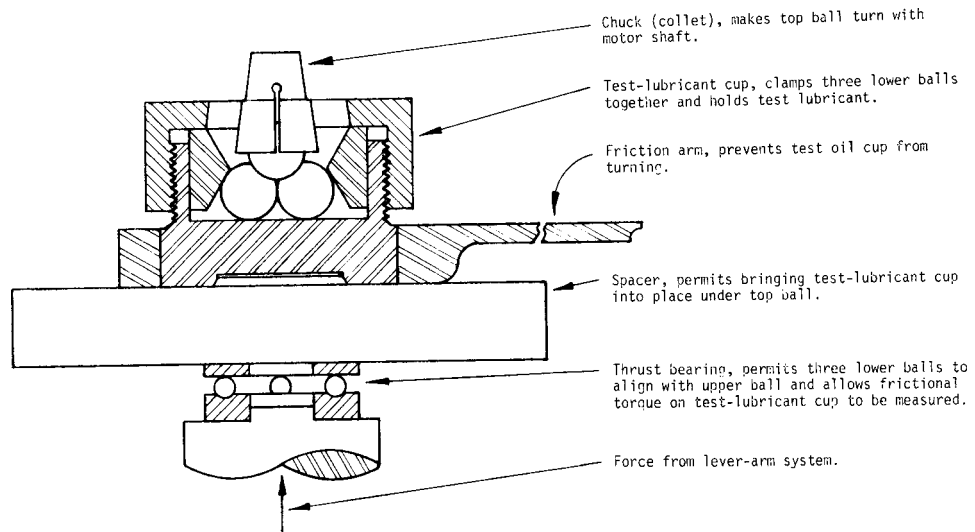


FIG. 2 Sectional View of Four-Ball Tester



FIG. 3 Four-Ball EP Test Machine

7.2 *Rinse Solvent*, same as in 7.1, but with higher volatility. ASTM *n*-Heptane is an example of one such rinse solvent that has been found suitable. (**Warning**—Flammable. Harmful if inhaled. See A1.2.)

7.3 *Test Balls*⁶—Test balls shall be chrome alloy steel, made from AISI standard steel No. E-52100, with diameter of 12.7 mm (0.5 in.), Grade 25 EP (Extra Polish). Such balls are described in B3.12, for Metal Balls. The Extra-Polish finish is not described in that specification. The Rockwell C hardness shall be 64 to 66, a closer limit than is found in the ANSI requirement.

8. Preparation of Apparatus

8.1 Thoroughly clean four new test balls, test-lubricant cup, and chuck assemblies by first washing with cleaning solvent (see 7.1) and then rinse solvent (see 7.2).

NOTE 4—Do not use solvents such as carbon tetrachloride or other solvents that may inherently possess load-carrying properties which may affect the results.

8.2 Lower the crosshead by raising the lever arm. Lock the lever arm in the raised position by means of a locking arrangement for that purpose.

9. Procedure

9.1 Place the three test balls in the test-lubricant cup. Place the lock ring over the test balls and screw down the nut securely (Note 5). Pour the lubricating fluid to be tested over the three test balls until they are covered.

NOTE 5—Subsequent independent investigations reported in 1971 by several laboratories indicate that optimum test repeatability is obtained when the force on the lock-down nut is maintained within the range $68 \pm 7 \text{ N} \cdot \text{m}$ ($50 \pm 5 \text{ ft} \cdot \text{lb}$), applied, and measured by means of a torque wrench. Significantly lower weld points were obtained when the force applied was approximately $136 \text{ N} \cdot \text{m}$ ($100 \text{ ft} \cdot \text{lb}$).

9.2 Bring the lubricant and cup to 18 to 35°C (65 to 95°F).

9.3 Press one ball into the ball chuck (Note 6) and mount the chuck into the chuck-holder.

NOTE 6—Examine the chuck and top ball after each run. If the ball shows signs of movement in the chuck, even though welding of the four-balls did not occur, the chuck should be replaced. When welding occurs slippage between ball and chuck nearly always occurs. If the chuck has metal from the top ball adhering to it, the metal must be removed or the chuck replaced.

9.4 Install the test-lubricant cup assembly on the test apparatus in contact with the fourth ball. Place the spacer between cup and thrust bearing.

9.5 Place the weight tray and sufficient weights on the horizontal arm in the correct notch for a base test load of 784 N (80 kg). Release the lever arm and gently apply (Note 7) the test load to the balls, making certain the cup assembly and spacer are centered. If the optional friction-measuring device is used, connect the calibrated arm on the test-lubricant cup to the indicator spring by means of the clip and wire.

NOTE 7—Shock-loading should be avoided as it may deform the balls permanently.

9.6 Start the motor and run for $10 \pm 0.2 \text{ s}$.

⁶ Steel balls meeting this description were used in developing the precision of the test. They are available from the manufacturer of the test machine. All balls used in one test should be taken from one carton (of 500 balls) as received from the supplier.

NOTE 8—The time for the apparatus to “coast” to a stop is not considered.

9.7 Remove the test-lubricant cup assembly; remove the chuck and discard the ball.

9.8 Measure the scar diameter of test balls as follows:

9.8.1 *Option A*—Remove the test balls. Clean the balls with cleaning solvent (see 7.1) and then rinse solvent (see 7.2). Wipe dry with a soft cloth. Place the individual balls on a suitable holder and by means of a microscope, measure to the nearest 0.01 mm the scar diameters both parallel (horizontal) and normal (vertical) to the striations in the scar surface of one of the three test balls (Note 9).

9.8.2 *Option B*—Leave the balls clamped in the cup. Pour out the lubricating fluid. Wash the ball surfaces with cleaning solvent (see 7.1) and then the rinse solvent (see 7.2). Using a microscope, measure to the nearest 0.01 mm the scar diameters both parallel (horizontal) and normal (vertical) to the striations in the scar surface of one of the three test balls (Note 9).

9.8.3 Measurements by microscope of the scar diameters on all three balls, rather than one ball as outlined in Options A or B, may be made if the operator so desires.

NOTE 9—It is recommended that prior to selection of Option A or B, the operator examines visually the test balls to ascertain no gross discrepancy in the wear scars formed on the test balls; if discrepancy is noted, then wear scar measurements on all three test balls must be made.

9.9 Record (Table 1, Column 2) for the 784 N (80-kg) load the average scar diameter by any one of the three techniques described in 9.8. Compare this average scar diameter with the compensation scar diameter (Table 1, Column 3).

9.10 Make additional runs at consecutively higher test loads (Table 1, Column 1), recording the measured scar diameter(s) (Note 10) and discarding test balls, until welding occurs (Note 11). Make a check run at this point. If welding does not occur on the check run, repeat the test at the next higher load until welding is verified.

NOTE 10—Measuring the scar diameter(s) of test balls in the incipient and immediate seizure region is sometimes difficult due to the flow of metal obliterating the full contact area formed by the rotating ball. In such cases the metal flow can generally be removed or peeled off with a suitable instrument. See Figs. 4 and 5. If the scar periphery is obscure or not well

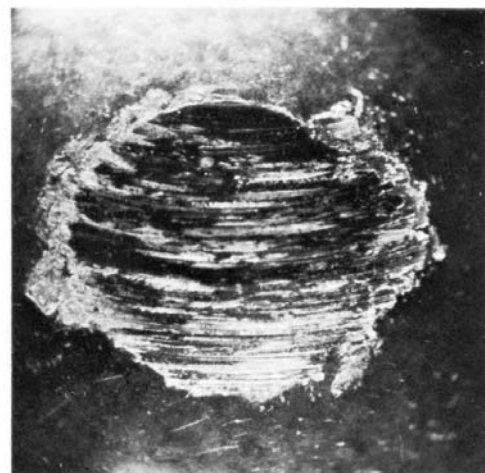


FIG. 4 Typical Test Ball Scars—Before Removal

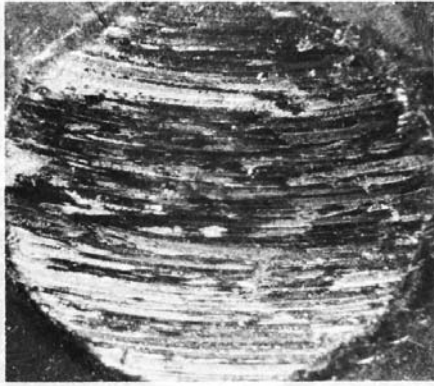


FIG. 5 Typical Test Ball Scars—After Removal



FIG. 7 Typical Test Ball Scars—After Removal

defined an estimate of the scar diameter is made. See Figs. 6 and 7.

NOTE 11—Shut off the motor immediately to prevent damage to the tester. Excessive seizure between the ball and ball chuck may result if caution is not observed. Welding may be detected by any or all of the following: (1) If friction-measuring device is used, a sharp transverse movement of the indicating pen, (2) increased noise level of motor, (3) smoking from test-oil cup, (4) a sudden drop in the lever arm.

9.11 If the measured scar diameter for the 784 N (80-kg) load is more than 5 % from the compensation scar diameter, make the next run at the next lower load (Table 1, Column 1). Continue this procedure until the last nonseizure load is determined.

NOTE 12—When the optional friction-measuring device is used, the last nonseizure load is detected by a gradual transverse movement of the indicating pen.

9.12 Alternatively, in instances when the measured wear scars remain more than 5 % above the compensation line, continue this procedure until a total of ten runs below the weld point is recorded.

10. Calculations and Reports

10.1 *Corrected Load*—Calculate and record (Table 1, Column 5) for each applied load between the last nonseizure load and weld point using the equation

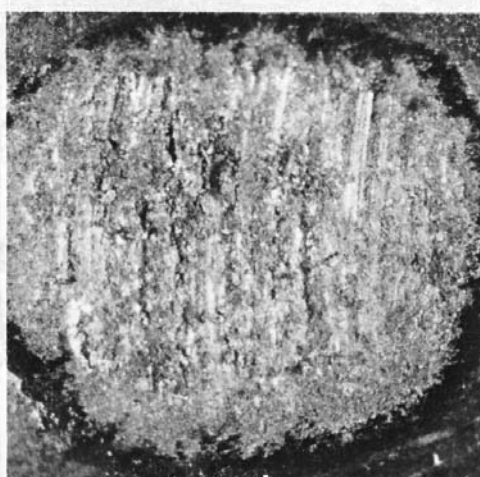


FIG. 6 Typical Test Ball Scars—After Removal

$$\text{Corrected load, kgf} = LD_h/X \quad (2)$$

where:

L = applied load, kgf, that is, total weight applied (tray and weights) multiplied by lever arm ratio,

D_h = Hertz scar diameter, mm, and

X = average scar diameter, mm.

10.2 *Load-Wear Index*⁷—Calculate and report the load-wear index (formerly Mean-Hertz Load) in kilograms-force using the equation:

$$\text{Load-wear index, kgf} = A/10 \quad (3)$$

where:

A = sum of the corrected loads determined for the ten applied loads immediately preceding the weld point (see Note 13).

NOTE 13—If tests applied to the lubricant indicate it follows the compensation line, then A may be defined as:

A = sum of corrected loads plus compensation line corrected loads, for the ten applied loads preceding the weld point.

For convenience, Table 2 has been constructed to give the compensation line corrected load for any portion of the compensation line. This value is obtained by noting the intersection of the last nonseizure load and weld load values. For example: the last nonseizure load of a lubricant was found to be 490 N (50 kgf). Subsequent runs in the seizure portion of the curve were made at 618, 784, 981, 1236, and 1569-N (63, 80, 100, 126 and 160-kgf) loads with weld-point found to be 1961 N (200 kgf). Table 2 notes the value at intersection of 490 and 1961 N (50 and 200 kgf) to be 1456 N (148.6 kgf). This value, the compensation line corrected load, was obtained by correcting loads of 490, 392, 314, 235 and 196 N (50, 40, 32, 24 and 20 kgf) using compensation line scar diameters. This fulfills the definition of load-wear index, that a total of eleven runs be made, the eleventh run causing welding of the test balls. If the tests applied to the lubricant indicate the wear scars do not follow the compensation line, then Table 2 cannot be applied and actual determinations must be made for all ten applied loads preceding the weld point.

10.3 *Weld Point*—Report the verified weld point as found in 9.10.

⁷ The method of calculation was amended in 1982. For a lubricant with a weld load of 400 kg or less, the load-wear index is the same with the old and the present method of calculation.

TABLE 2 Total of Compensation Line Corrected Loads

Last Nonseizure Load, kgf ^A	Weld Load, kgf ^A											
	800	620	500	400	315	250	200	160	126	100	80	
200	583	639	684	720	749	770						
160	410	466	511	547	576	597	615					
126	269.8	325.8	370.5	407	435	457	474	489				
100	159.7	215.8	260.5	296.7	325.3	346.9	364.4	378	390			
80	71.6	127.7	172.4	208.6	237.2	258.2	276.3	290	302	311.0		
63		56.1	100.8	137.0	165.6	187.1	204.7	218.8	230.4	239.3	246.7	
50			44.7	80.9	109.5	131.0	148.6	162.7	174.3	183.2	190.6	
40				36.2	64.8	86.4	103.9	118.0	129.6	138.6	145.9	
32					28.6	50.2	67.7	81.8	93.4	102.4	109.7	
24						21.6	39.1	53.2	64.8	73.8	81.1	
20							17.6	31.6	43.2	52.2	59.2	
16								14.1	25.7	34.6	42.0	
13									11.6	20.6	27.9	
10										9.0	16.3	
8											7.4	

^A To convert from kilograms-force to newtons multiply by 9.806.

11. Precision and Bias ⁸

11.1 *Precision*—The following criteria should be used for judging acceptability of results (95 % probability) for lubricating fluids which follow the compensation line and have weld points of 400 kg or less.

11.1.1 *Load-Wear Index:*

11.1.1.1 *Repeatability*—The difference between successive test results, obtained by the same operator with the same apparatus under constant operating conditions on identical test material would, in the long run, and in the normal and correct operation of the test method, exceed the following values only in one case in twenty:

$$17 \% \text{ of the mean value} \quad (4)$$

11.1.1.2 *Reproducibility*—The difference between two, single and independent results, obtained by different operators working in different laboratories on identical test material would, in the long run, and in the normal and correct operation of the test method, exceed the following values only in one case in twenty:

$$44 \% \text{ of the mean value} \quad (5)$$

11.1.2 *Weld Point:*

11.1.2.1 *Repeatability*—The difference between successive test results, obtained by the same operator with the same apparatus under constant operating conditions on identical test

material would, in the long run, and in the normal and correct operation of the test method, exceed the following values only in one case in twenty:

$$\text{more than one increment loading} \quad (6)$$

11.1.2.2 *Reproducibility*—The difference between two, single and independent results, obtained by different operators working in different laboratories on identical test material would, in the long run, and in the normal and correct operation of the test method, exceed the following values only in one case in twenty:

$$\text{more than one increment loading} \quad (7)$$

NOTE 14—A round robin with five cooperators has shown that at a 95 % confidence level similar load-wear index and weld point values have been obtained with five lubricants at 1770 rpm (two laboratories) and at 1440 rpm (three laboratories).⁸ Physical properties and composition of the lubricating fluids used and sample data obtained by this round-robin testing are shown in the appendix.

11.2 Precision for lubricants with weld points greater than 400 kg or above the compensation line, or both, has not been established.

11.3 *Bias*—Since there is no accepted reference material suitable for determining the bias for the procedure in this Test Method D2783, no statement on bias is being made.

12. Keywords

12.1 extreme pressure properties (in lubricating fluids); load wear index; weldpoint

⁸ Supporting data have been filed at ASTM International Headquarters and may be obtained by requesting Research Report RR: D02-1023.

ANNEX
(Mandatory Information)
A1. PRECAUTIONARY STATEMENTS
A1.1 Stoddard Solvent

Keep away from heat, sparks, and open flame.
 Keep container closed.
 Use with adequate ventilation.
 Avoid breathing vapor or spray mist.
 Avoid prolonged or repeated contact with skin.

Keep container closed.

Use with adequate ventilation.

Avoid build up of vapors and eliminate all sources of ignition especially nonexplosion-proof electrical apparatus and heaters.

Avoid prolonged breathing of vapor or spray mist.

Avoid prolonged or repeated skin contact.

A1.2 Heptane

Harmful if inhaled. Vapors may cause flash fire.
 Keep away from heat, sparks, and open flame.

APPENDIX
(Nonmandatory Information)
X1. INFORMATION FROM COOPERATIVE TESTING
TABLE X1.1 Properties of Lubricating Fluids Used in Cooperative Testing

Sample	L-XI-1-2-A	L-XI-1-2-B	L-XI-1-2-C	L-XI-1-2-D	L-XI-1-2-E	L-XI-1-2-F
Gravity, deg API	25.8	27.5	26.2	...	24.3	30.4
Viscosity at 100°F SUS	1399.4	1392.4	950	1835	359	162.4
Viscosity at 210°F SUS	100.4	99.3	86.0	101	54.5	44.0
Viscosity index	86	85	95.5	58	89	100

TABLE X1.2 Blends (by Weight) Lubricating Fluids Used in Cooperative Testing

Sample	L-XI-1-2-A	L-XI-1-2-B	L-XI-1-2-C	L-XI-1-2-D	L-XI-1-2-E	L-XI-1-2-F
Lubricating oil	100	99.5 L-XI-1-2-A	SAE 90 96 SEMC ^A 90 VI ^B	10 mineral seal	80 400 SUS at 100°F 90 VI ^B	96 USP white-oil, heavy
Additive	none	0.5 antimony dialkyl dithiocarbamate (active)	4 antimony dialkyl phosphorodithioate (active)	90 chlorinated paraffin (40 %)	20 zinc-dialkyl- dithiophosphate	4 ditertbutyl disulfide (Eastman P-5683)

^A SEMC = solvent extracted midcontinent.

^B VI = viscosity index.

TABLE X1.3 Representative Data Obtained by Standard Test Method for Extreme-Pressure Properties of Lubricating Fluid (Four-Ball Method)

Laboratory	Load Wear Index, kgf			Weld Point, kgf		
	1	3	4	1	3	4
<i>Sample L-XI-1-2-A</i>						
Run 1	13.47	20.3	16.41	100	126	100
Run 2	16.43	20.3	16.37	100	100	100
Run 3	11.09	20.3	...	100	100	...
Average	13.66	20.3	16.39			
<i>Sample L-XI-1-2-B</i>						
Run 1	27.84	28.5	23.39	160	160	160
Run 2	23.59	28.0	23.41	160	160	160
Run 3	27.72	29.0	...	160	160	...
Average	26.38	28.5	23.4			
<i>Sample L-XI-1-2-C</i>						
Run 1	68.45	71.8	76.69	620	500	500
Run 2	76.39	66.9	76.25	500	500	500
Run 3	78.76	69.2	...	500	500	...
Average	74.58	69.3	76.46			

TABLE X1.4 Precision Data for Load Wear Index

Sample	L-XI-1-2-A	L-XI-1-2-B	L-XI-1-2-C	L-XI-1-2-D ^A	L-XI-1-2-E	L-XI-1-2-F
Number of cooperators	11	11	11	8	8	10
Grand average, LWI, kg	16.08	26.87	71.23	76.8	53.7	51.25
Number of runs	30	30	30	19	23	29
Repeatability, kg	1.93	1.26	5.02	3.14	3.04	3.34
Reproducibility, kg	7.25	6.68	11.95	18.55	27.1	20.2

^A Wear scar values above compensation line.

TABLE X1.5 Laboratory Test Results for Weld Point

Sample L-XI-1-2-A													
Laboratory	1	2	3	4	5 ^A	6	7	8	9	10	11A	11B	12
Run 1 Weld Point, kg	100	...	126	100	126	100	126	100	126	126	126	126	100
Run 2 Weld Point, kg	100	...	100	100	126	100	126	100	100	...	126	126	100
Run 3 Weld Point, kg	100	...	100	...	126	100	126	100	100	...	126	126	100
Sample L-XI-1-2-B													
Laboratory	1	2	3	4	5 ^A	6	7	8	9	10	11A	11B	12
Run 1 Weld Point, kg	160	...	160	160	200	160	200	160	160	160	160	200	160
Run 2 Weld Point, kg	160	...	160	160	200	160	200	160	160	...	160	200	160
Run 3 Weld Point, kg	160	...	160	...	200	160	200	160	160	...	160	200	160
Sample L-XI-1-2-C													
Laboratory	1	2	3	4	5 ^A	6	7	8	9	10	11A	11B	12
Run 1 Weld Point, kg	620	...	500	500	620	500	620	500	500	500	500	500	500
Run 2 Weld Point, kg	500	...	500	500	620	500	620	500	500	...	500	500	500
Run 3 Weld Point, kg	500	...	500	...	620	500	800	500	500	...	500	500	500
Sample L-XI-1-2-D													
Laboratory	1	2	3	4	5 ^A	6	7	8	9	10	11A	11B	12
Run 1	500	400	800	400	...	500	500	500	500	500	...
Run 2	500	400	800	400	...	400	500	500
Run 3	500	800	400	...	500	500	500
Sample L-XI-1-2-E													
Laboratory	1	2	3	4	5 ^A	6	7	8	9	10	11A	11B	12
Run 1	250	315	...	315	250	250	250	250	250	250
Run 2	200	315	...	315	250	200	250	250	250	250
Run 3	315	...	315	250	250	250	250	250	250
Sample L-XI-1-2-F													
Laboratory	1	2	3	4	5 ^A	6	7	8	9	10	11A	11B	12
Run 1	315	315	315	250	315	250	250	315	315	315	400
Run 2	315	250	315	250	400	315	250	315	315	315	315
Run 3	315	315	250	400	315	315	315	315	315	315

^A Four-ball EP tester run at 1500 rpm.

ASTM International takes no position respecting the validity of any patent rights asserted in connection with any item mentioned in this standard. Users of this standard are expressly advised that determination of the validity of any such patent rights, and the risk of infringement of such rights, are entirely their own responsibility.

This standard is subject to revision at any time by the responsible technical committee and must be reviewed every five years and if not revised, either reapproved or withdrawn. Your comments are invited either for revision of this standard or for additional standards and should be addressed to ASTM International Headquarters. Your comments will receive careful consideration at a meeting of the responsible technical committee, which you may attend. If you feel that your comments have not received a fair hearing you should make your views known to the ASTM Committee on Standards, at the address shown below.

This standard is copyrighted by ASTM International, 100 Barr Harbor Drive, PO Box C700, West Conshohocken, PA 19428-2959, United States. Individual reprints (single or multiple copies) of this standard may be obtained by contacting ASTM at the above address or at 610-832-9585 (phone), 610-832-9555 (fax), or service@astm.org (e-mail); or through the ASTM website (www.astm.org). Permission rights to photocopy the standard may also be secured from the ASTM website (www.astm.org/COPYRIGHT/).